

# ProTrap Auto 1850-PF

The ProTrap Auto 1850-PF is a fully automatic grease separation and solids removal system suitable for the collection, separation and removal of food waste and fat, oil and grease (FOG) from grey water before the final discharge.

The system is suitable for pot wash, double bowl sinks, pre-rinse sinks, hood dishwashers and combi-ovens up to a total flow rate of 1.85 l/s.

It includes a pre-filter with a non-restricted vortex control device to remove solid waste before it enters the unit.

Protect the environment and prevent recurring drain blockages caused by FOG. Comply with local water authority and landlord requirements.

The ProTrap Auto is very easy and quick to maintain. Kitchen staff do not need to access the internals of the machine.



## APPLICATIONS



## FLOW RATES & CERTIFICATION

- Pro-active flow rate – 1.85 l/sec
- ASME Certification
- PDI Certification
- CSA Certification
- EN 1825 Certification

**Do not exceed the rated flows.**

## STANDARD FEATURES & FUNCTIONS

- Fully automatic and self-cleaning
- Magnetic baffle for bioremediation
- PLC controlled
- No requirement for enzymes or bio additives
- No heating element, so no risk of fire and very low energy consumption
- Non-restricted Vortex Flow Control device
- Reverse flow configuration
- Space saver running trap and sampling point

## EASY TO MAINTAIN

- No access to the unit's internals is necessary
- FOG collects in an easy to clean external container for daily emptying
- Pre-filter with interchangeable basket removes solid food waste for daily emptying

## TECHNICAL SPECIFICATIONS

### PLUMBING CONNECTIONS

Pre-filter inlet	1½" / 40 mm
Inlet	1½" / 40 mm
Invert inlet	1¼" / 32 mm
Outlet	2" / 50 mm
Decant outlet	¾" / 18 mm
Hot water solenoid	¾" / 22 mm

### ELECTRICAL RATINGS

Voltage	230 V
Current	0.49 A
Av. power consumption	18.8 W ph

### STANDARD OPERATIONAL TIMES

Days of operation	7 days a week
Hours of operation	07:00–02:30

Note: Operational times should be adjusted to suit the needs of the kitchen

**⚠ AQUACHECK 15DN (WRAS Certified) or equivalent double check valve must be fitted to water supply on all ProTrap Auto models to conform with WRAS back flow prevention.**

## WASTE



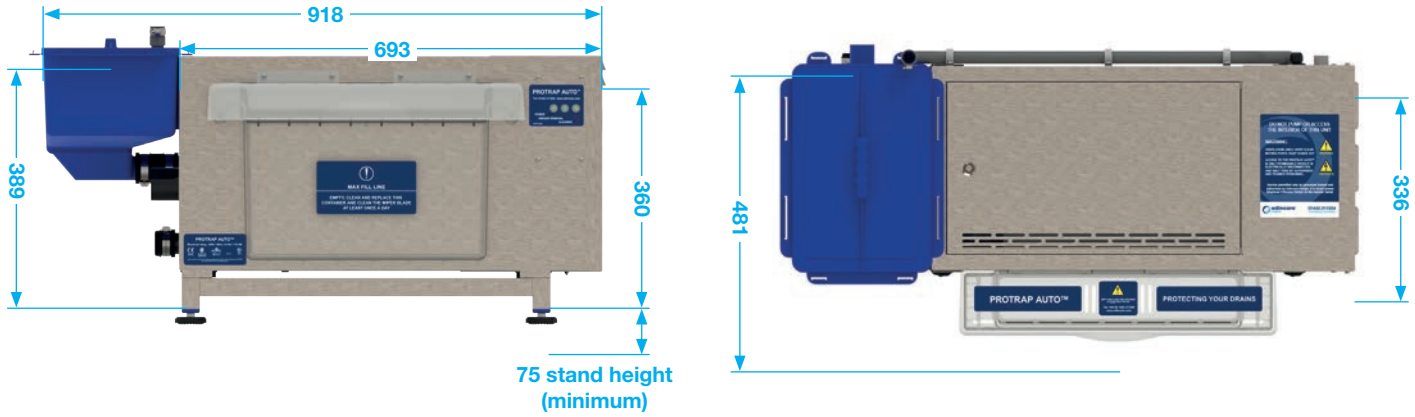
Grey

## Need help choosing the correct grease trap for your kitchen?

Call our Sales Team on 01442 211554 for free no-obligation advice including how to comply with local authority and landlord regulations. We offer site surveys, installation and servicing.

# ProTrap Auto 1850-PF

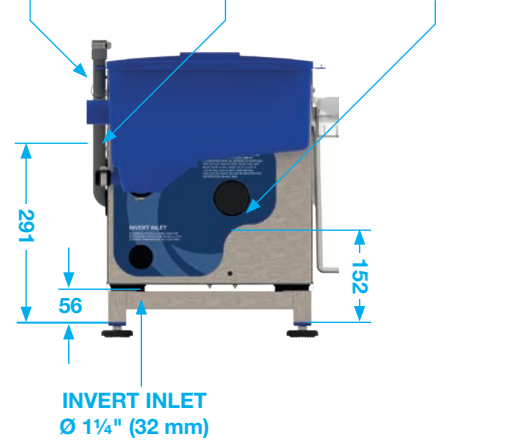
## DIMENSIONS



### HEIGHT REQUIRED FOR FILTER BASKET REMOVAL



### DECANT OUTLET Ø ¾" (18 mm) PRE-FILTER INLET Ø 1½" (40 mm) OUTLET Ø 2" (50 mm)



## ACCESSORIES & SPARES



**PROTRAP AUTO PREFILTER BASKET (FULL KIT)**

Product code: #55013



**SEPARATOR PRO STANDARD WITH STAND & COFFEE BASKET**

Product code: #55015



**PROTRAP AUTO 1850 FOG TANK**

Product code: #55017

## CERTIFICATIONS & APPROVALS

ASME A112.14.3-2000 Testing of Grease Interceptors, ASME A112.14.4-2001 Grease Removal Devices, CSA B481.0-2012 Testing of Grease Interceptors, CSA B481.1-2012 Testing and Rating of Grease Interceptors using Lard, CSA B481.5-2012 Testing and Rating of Grease Interceptors Equipped with a Grease Removal Device & PDI G 101. UL Approved (File No: E361705). Machinery Directive 2006/42/EC and EMC directive 2004/108/EC.

# DELIVERING PUMPED AND DRAINAGE SOLUTIONS FOR OVER 30 YEARS

- Packaged pumping stations**
- Waste water pumping systems**
- Macerators and macerating toilets**
- Floor mounted pumping stations**
- Fat, oil and grease separating systems**
- Rainwater harvesting systems**
- Battery backup systems**
- Adoptable pumping stations**
- Submersible pumps**
- Accessories**



We provide pumped and drainage products and services to the public and private sectors, including residential, commercial, hospitality and retail.

We are proud of the long-term relationships we have built with our clients and partners, delivering cost effective, robust and dependable products and services.

### 12-MONTH GUARANTEE

Your products are protected by a 12-month guarantee. Please refer to our Terms and Conditions at [www.edincare.com](http://www.edincare.com)

### HOW TO ORDER

Order online at [www.edincare.com](http://www.edincare.com)  
 Call Sales on 01442 211554  
 Email [sales@edincare.com](mailto:sales@edincare.com)

### PROJECT SERVICES

- Project design
- Site surveys
- Installations
- Refurbishments

### AFTERSALES SERVICES

- Planned servicing
- Emergency call outs
- Commissioning
- Monitoring

### DRAINAGE SERVICES

- Tankering
- Jetting
- Drainage CCTV
- Surveys
- Cleaning and de-scaling
- Structural repairs
- Excavations
- Root cutting

### [www.edincare.com](http://www.edincare.com)

- Discover our products and services
- Order products online
- Case studies and articles
- Brochures and technical documents

## Protect your property with an Edincare Service Agreement

As with all pumped and drainage systems, regular maintenance is essential to ensure optimum performance and minimal downtime. Our Service Agreements comprises planned preventive maintenance visits at an agreed frequency, we also service other manufacturers' equipment regardless of type, make and age.

- ✓ Validates your building insurance
- ✓ Reduces the risk of failure
- ✓ Increases the life expectancy of your equipment
- ✓ Priority callouts and 24/7 out-of-hours service
- ✓ Reduced rates for emergency call outs
- ✓ Flexible payment options (Direct Debit)



+44 (0)1442 211554  
[info@edincare.com](mailto:info@edincare.com)

[www.edincare.com](http://www.edincare.com)  
[Twitter](#) [LinkedIn](#) [Facebook](#) edincarepumps

Unit 8, Heron Business Park, Eastman Way,  
 Hemel Hempstead, Hertfordshire, HP2 7FW

Part of the Edincare Group of Companies [www.edincaregroup.com](http://www.edincaregroup.com)



Our policy is one of continuous product improvement, we reserve the right to change specifications and prices without prior notice. All information is given in good faith. No responsibility can be accepted for errors, omissions or incorrect assumptions. © Omni Pump International Ltd t/a Edincare Pumps & Edincare Drains. All rights reserved.