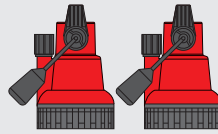


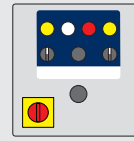
SumpFlushHP Twin 800-1750 c/w Timer Control Panel



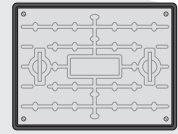
SYSTEM OVERVIEW



Two free-standing automatic pumps



10-hour changeover control panel with high level alarm and volt-free contact



Access cover, solid top, locking, galvanised steel, PP frame, FACTA A

- 110 mm inlet
- 50 mm cable duct
- 110 mm inlet

- 1 1/4" Class E PVC pipework
- 1 1/4" Class E PVC discharge
- 1 1/4" brass valves



The SumpFlushHP Twin 800-1750 is a fully automatic wastewater pumping system suitable for pumping surface and/or ground water to a higher level when gravity drainage is not possible and/or economical to install.

The system provides up to 575 litre storage capacity depending inlet depth. It can accept waste from car parks, car washes, floor areas, down pipes, cavity membrane systems or similar.

It is not suitable for receiving foul waste. Contact our Sales Team for advice on a suitable foul water packaged pumping stations for your property.

The system consists of a polyethylene tank, Class E PVC internal pipework with brass valves, two powerful automatic wastewater submersible pumps and a solid top, locking, galvanised steel access cover (FACTA A).

The control panel balances the wear between the two pumps, and provides a high level alarm and volt-free contacts for remote monitoring.

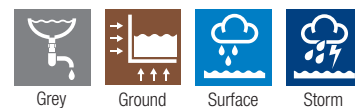
It discharges to solvent welded 1 1/4" Class E PVC. Optional discharge reducer kits can increase external discharge diameter to 1 1/2" or 2" to reduce friction loss. Compression fittings are also available for discharging to MDPE pipework.

It is easy to install as inlets can be positioned to your site's requirements. Inlet information to be supplied at time of order, or can be drilled on site.

KEY FEATURES

- Powerful vortex pumps for high head and flow
- Twin pumps for backup if one of the pumps fail
- Control panel for timed changeover, high level alarm and volt-free contacts
- Up to 575 litres storage capacity
- Ideal for an extension, outbuilding, basement or similar
- 600 mm x 450 mm clear opening
- Variable inlet positions to suit site
- A range of battery backup systems are available
- A range of alarms and remote alerts are available
- Quick and simple to install

WASTE TYPE



For groundwater and surface water applications where inflow cannot be controlled, a battery backup system should be used, in accordance with BS 8102:2022 and PCA Guidelines. Battery backup systems can be purchased to your specification.

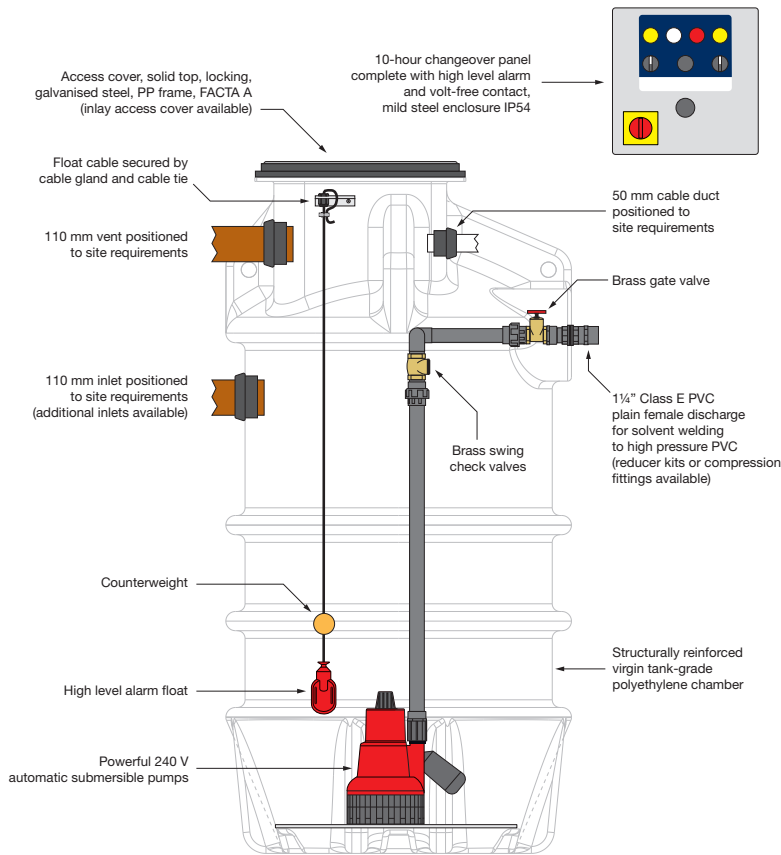
RECOMMENDED ACCESSORIES

<p>UPS 3000</p> <p>#29000</p>	<p>PowerShield 1500</p> <p>#37507</p>	<p>Inlay access cover</p> <p>#18004</p>	<p>Additional inlet</p> <p>110 mm 50 mm</p> <p>#17010 #17012</p>	<p>Discharge reducer kit</p> <p>1 1/2" to 1 1/4" 2" to 1 1/4"</p> <p>#8203 #8202</p>	<p>Compression adaptor</p> <p>for 32 mm OD MDPE</p> <p>#27090</p>
--------------------------------------	--	--	---	---	--

All our products can be customised to your requirements. For more information and advice please call our Sales Team on 01442 211554.

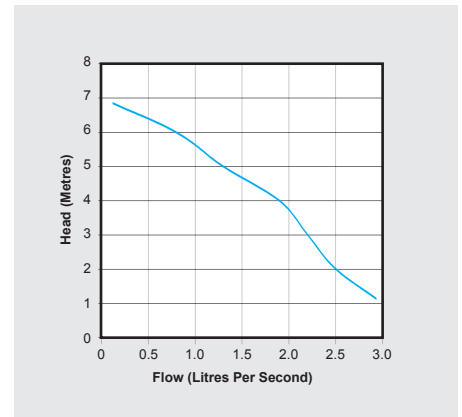
SumpFlushHP Twin 800-1750 c/w Timer Control Panel

TYPICAL INSTALLATION



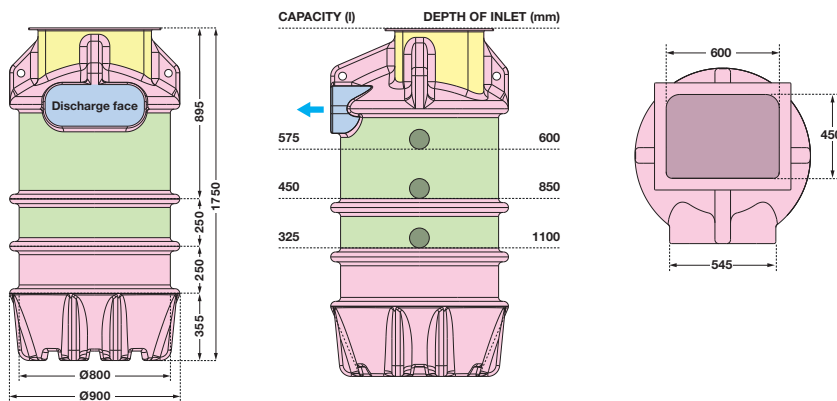
PUMP SPECIFICATIONS

Number of pumps	Two
Impellor type	Vortex
Control	Automatic
Power supply	230 VAC
Rated current per pump	1.9 A
Motor rating (P2) per pump	180 W
Revolutions per min.	2800
Discharge size	1 1/4"
Free passage	10 mm
Max. vertical output per pump	6.8 m
Max. flow rate per pump	2.9 l/s
Max liquid temp.	<40 °C
Cable length	5 m
Weight	5.2 kg



CHAMBER DIMENSIONS

Shows indicative capacities from lowest inlet invert.



Permitted connection positions

Discharge only	Inlet location allowed	Cable ducts and vents only	No drilling allowed
----------------	------------------------	----------------------------	---------------------

CHAMBER SPECIFICATIONS

Internal pipework	1 1/4" OD Class E PVC
Discharge pipework	1 1/4" OD Class E PVC
Lifting eyes	4 no
Maximum storage capacity	575 litres
Chamber material	Tank-grade polyethylene
Dimensions (Ø x H)	900 x 1750 mm
Clear opening	600 x 450 mm

ACCESS COVER

Material	Galvanised steel, PP frame
Cover type	Solid top
Locking	4 screws
Loading	Pedestrian duty FACTA A
Clear opening (H x W)	600 x 450 mm
Dimensions (L x W x D)	663 x 513 x 30 mm

